



## TS5000A

**TS5000A** Motorized Tripod Turnstile

**TS5011A** Motorized Tripod Turnstile  
(w/ controller and RFID reader)

**TS5022A** Motorized Tripod Turnstile  
(w/ controller and fingerprint & RFID reader)

The ZKTeco TS5000A tripod turnstile series is a motorized tripod turnstile series designed for high-traffic volume.

TS5000A is an automatic tripod turnstile series designed for smooth and silent operation and consumes very little power. It is made of stainless steel that offers high durability. TS5000A is also surprisingly compact and designed to operate in small workspace.

TS5000A tripod arms are normally held in a locked position, thus denying access to the secured side. Upon the reader (RFID and/or fingerprint) in TS5000A positively recognizing a user's valid access card or fingerprint, arms unlock and automatically rotate at a slight push.

During emergencies and power outages the tripod arms completely collapse, thereby ensuring users FAST unencumbered exit to safety. When the power is on, the arm will automatically lift up to form a secure lane.

TS5000A provides both security and convenient space, all in a very durable compact design.

### Features

#### Reliability

- SUS304 stainless steel casework & tripod arms ensure long-lasting.

#### Safety Features

- Tripod-arms unlock & drop during emergencies / power loss.
- All smooth finishing.
- Visual indicator for granted access (or denied).
- Ergonomic design makes card and fingerprint authentication fast & simple for users.
- Secure. Supports Anti-tailgating.

#### Built-in Reader Integration

- TS5000A series ships already integrated with our customers' preference for either card or fingerprint access control reader. This greatly reduces installation time & expense.
- TS5000A series and associated access control readers are all factory-tested prior to shipping.
- ZKTeco provides true plug'n play turnstiles with the lowest possible total cost of ownership in the industry.

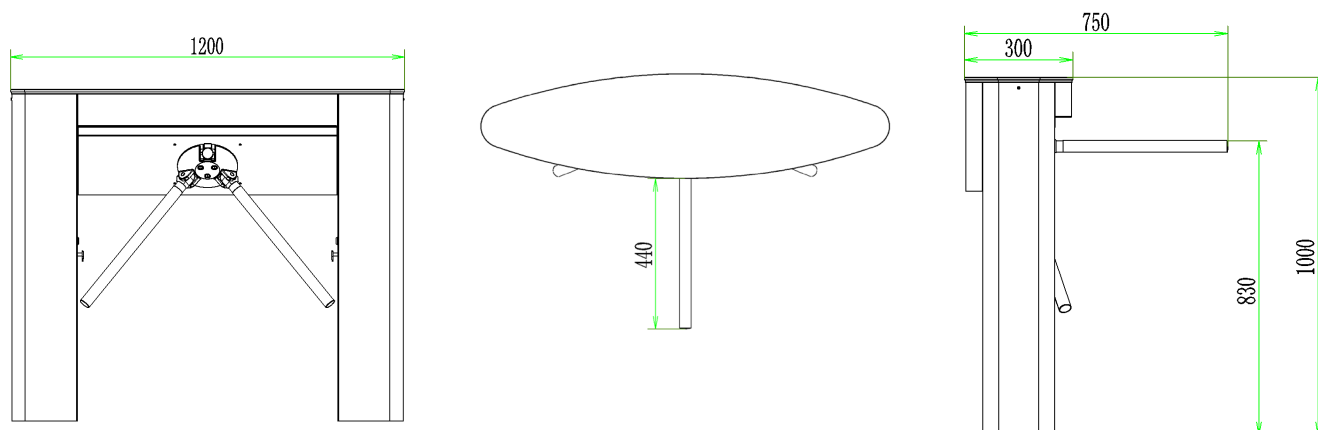
#### Easy Operation

- LCD on the tripod turnstile control board, easy to make setting.

# Specifications

Power requirements		AC 100 ~ 120V/200 ~ 240V, 50/60Hz
Power consumption	Starting	73W
	Standby	20W
	Unlock	63W
Working temperature		-28 °C - 60 °C
Working humidity		5%-80%
Working environment		Indoor/Outdoor(if sheltered)
Speed of throughput	RFID	Maximum 32/minute
	Fingerprint	Maximum 28/minute
	Face	Maximum 13/minute
	Vein	Maximum 19/minute
Lane width(mm)		500
Footprint(mm*mm)		1200*750
Dimension(mm)		L=1200, W=300, H=1010
Dimension with packing(mm)		L=1310, W=420, H=1100
Net weight(kg)		60
Weight with packing(kg)		90
Cabinet material		SUS304 Stainless Steel
Lid material		Tempered Glass
Barrier material		SUS304 Stainless Steel
Barrier movement		Rotating
Emergency mode		Y
Security level		Medium
MCBF		2 million
Options/Accessories		Counter, Card Receiver Box, SUS316 Cabinet and Lid, Remote Control

## Dimensions (mm)



More details

ZKTECO CO.,LTD.  
[www.zkteco.com](http://www.zkteco.com)  
 E-mail: [sales@zkteco.com](mailto:sales@zkteco.com)

© Copyright 2016. ZKTECO CO., LTD. ZKTECO Logo is a registered trademark of ZKTECO or a related company. All other product and company names mentioned are used for identification purposes only and may be the trademarks of their respective owners. All specifications are subject to change without notice. All rights reserved.